

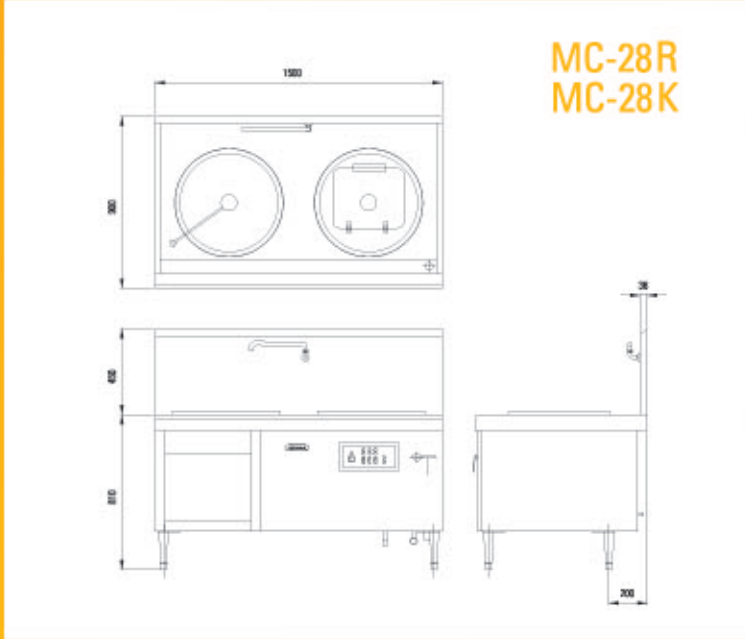
LEEGO



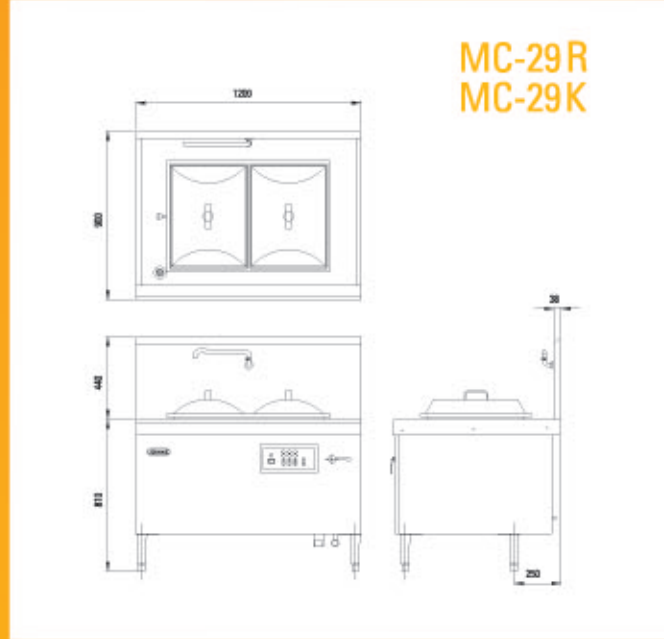
Electric Steamer & Rice-Roll Steamer



MC-27R
MC-27K



MC-28R
MC-28K



MC-29R
MC-29K

Model	Dimension (mm)			Voltage	Loading (kW)	Water Inlet (mm)	Water Outlet (mm)	Net Weight (kg)	Gross Weight (kg)
	W	D	H						
MC-27R	750	900	1260	380V/TPN	27	DN15	DN40	81	111
MC-27K	750	900	1260	380V/TPN	36	DN15	DN40	81	111
MC-28R	1500	900	1260	380V/TPN	45	DN15	DN40	136	196
MC-28K	1500	900	1260	380V/TPN	54	DN15	DN40	136	196
MC-29R	1200	900	1260	380V/TPN	22.5	DN15	DN40	130	190
MC-29K	1200	900	1260	380V/TPN	27	DN15	DN40	130	190

All specifications are subjected to change without prior notice.

YPT 逸宏國際有限公司
YPT International Ltd.

MANAGEMENT OFFICE & SHOWROOM |
1/F., NEW CITY CENTRE, 2 LEI YUE MUN ROAD,
KWUN TONG, KOWLOON, HONG KONG
TEL | 852-2723 2168 FAX | 852-2739 7576
WEBSITE | www.ypt.com.hk
E-MAIL | ypt@techwin.com.hk

YPT-0711-0001

LEEGO



LeeGo Chinese Electric Steamer and Rice Roll Steamer are environmental friendly equipments with silent operation and no emission. Because of the insulation of the equipment, the heat energy can be utilized up to 90% which significantly saves time and costs. Various accessories are applicable for maximizing the utilization of the equipment.



Safety Features

- Water level detective device and overheat protection

Other Features

- Noiseless operation
- Insulation around boiler to enhance thermal efficiency
- Stainless Steel boiler

Optional Accessories

- Water regulator
- Water softener
- S/S dim sum plate (7-holes)



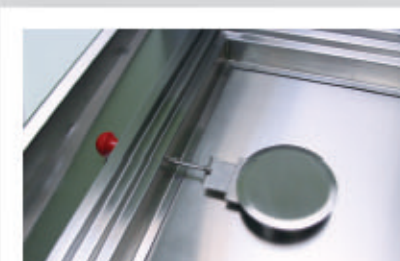
- S/S dim sum tray stand 540mm
- S/S full set steam trays 540mm



- Rice roll accessories



1. Swing faucet for convenient operation



2. Equipped with steam On/Off Valve



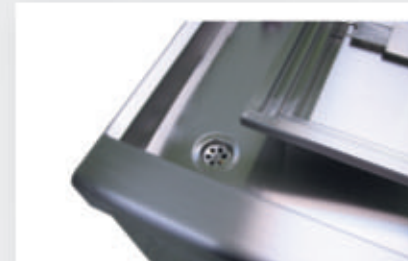
3. S/S adjustable feet



4. Auto-drainage system to avoid limescale



5. Power level selector (3-levels)



7. Drainage outlet



6. Splash proof switches



8. Accessible water tank for cleaning